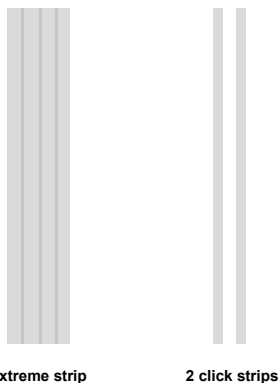
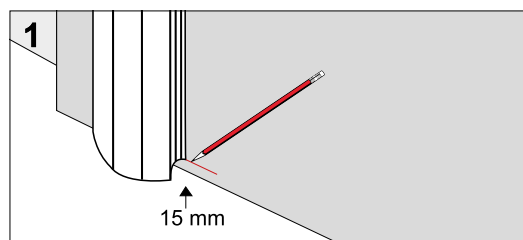


FINGER ALERT EXTREME



FINGER ALERT EXTREME

Draw horizontal lines (with a soft pencil) 15 mm above the bottom edge on the inside of the door and door frame. (see figure 1)



USE OF TAPE

The door and door frame must be made grease-free and dry after which the tape can then be adhered along the entire length of the strips. For optimal adhesion it is advisable to lightly sand the contact surfaces, ensure that the door and frame are dust-free afterwards.

To ensure correct and an optimal adhesion after mounting the strips on the door and frame, rub your fingers firmly up and down the adhesive strips for 2 minutes. Then close the door and do not open for at least 15 minutes..

Read the instructions first before fitting the strips!

INTRODUCTION

Whenever possible, use screws on doors and door frames. Screws can be used in pre-drilled holes on the strips.

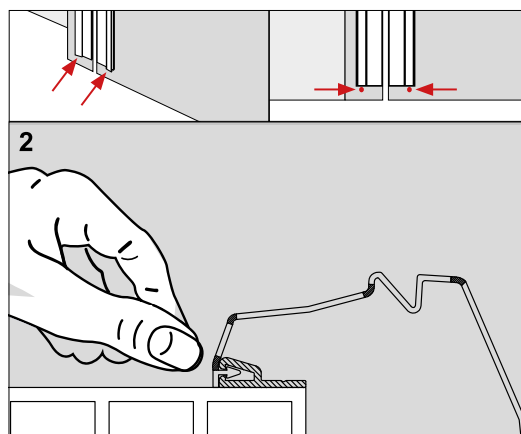
The Finger Alert Professional strips should in principle not be fitted onto the exterior of outside doors. Exposure to the elements and sub-zero temperatures can cause rapid deterioration whereby the plastic becomes brittle and may crack. To be applied on aluminium or PVC doors. Not suitable for Square or Rabbeted doors.

CLICK STRIP ON THE DOOR

Peel off the backing of the tape and first stick the lower end onto the horizontal pencil line at the bottom of the door. Ensure that the edge of the strip runs exactly along the edge of the door (see figure 3B). Add a screw at the bottom of the click strip (see red dot). The screw prevents the main strip from slipping downwards.

When the strip is exactly in line with the edge of the door, stick it into position by pressing firmly along the strip starting at the bottom and working upwards.

Lastly, click together extreme strip, starting at the top and working downwards. (see figure 2)



USE OF STRIPS

Our strips cannot withstand rough handling. For example damage may occur if they are not handled correctly when being removed for maintenance. In accordance with safety standards, shortening the strips to less than 180 cm is not permitted.

Maintenance

The strips can be loosened at the top by carefully levering the strip open with a screwdriver. Once a small bit is pried loose the strip will come away easily. Clean with lukewarm water.

Warning

When removing strips which have been fitted using tape, damage may occur to the surface of doors and or frames due to the strong adhesive used for permanent fixing.

Disclaimer

Arte Viva BV is not responsible for any consequential, direct or indirect loss or damage suffered by any person or property as a result of failure to properly install and/or use the strips as set forth in the above instructions; or based upon misuse, neglect or modification of said product. the Finger Alert strips.



Children should never be left unsupervised. Parents should always be on their guard.

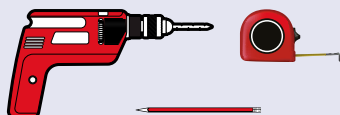
For more information:
www.arteviva.nl

REQUIREMENTS FOR INSTALLING FINGER ALERT

- Drill
- Cloth
- Soft pencil
- Cleaning agent
- Tape measure
- 2 Screws

Screws available at extra cost

Round-headed screws 3.5 x 13mm.
Only for use on wooden doors and frames.
For metal, aluminium and PVC doors we recommend using tape.



INCLUDED

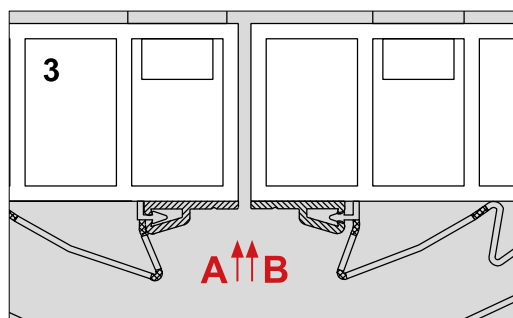
- 2 click strips with tape
- 1 extreme strip for the inside of the door

CLICK STRIP ON DOOR FRAME

Peel off the backing of the tape at the other click strip and stick it starting at the top of the 15 mm line at the bottom of the door frame. Ensure that the edge of the strip runs exactly along the edge of the door (see figure 3A) Add a screw at the bottom of the click strip if installing on a wooden door frame. The screw prevents the main strip from slipping downwards.

When the strip is exactly in line with the edge of the door frame, stick it into position by pressing firmly along the strip starting at the bottom and working upwards. Lastly, click together the wide strip into the click strip, starting at the top and working downwards.

Attention: the door must not come into contact with the strip fixed onto the door frame.



Watch video



arte viva. child safety
kindergartens and schools

Keulenaar 6b
3961 NM Wijk bij Duurstede
The Netherlands
T +31 (0)343 57 69 54
E info@arteviva.nl | www.arteviva.nl